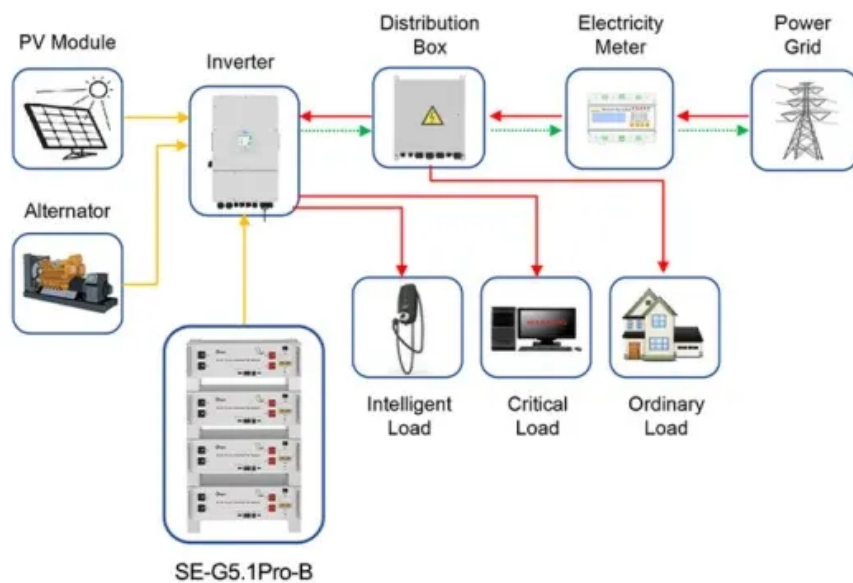


Commercial solar power generation system support



Application scenarios of energy storage battery products



Overview

Solar energy system design, installation, maintenance, and consulting for new commercial construction and retrofits. Lower your operating costs and protect your business from rising.

Commercial solar power generation system support



The Commercial Appeal

The Commercial Appeal 495 Union Avenue
Memphis, TN 38103 What are the business
hours? Customer Service representatives can be
reached during the following business hours:
Monday -

Memphis News

Local, politics, breaking news for Memphis,
Tennessee and the Mid-South from The
Commercial Appeal.



Help Center

Always get more of the story, breaking news and
unlimited access to videos, photo galleries,
databases of public documents, and more
available on your desktop, mobile devices, and
our mobile app.

The Commercial Appeal eNewspaper

This full replica of our printed product provides
you the newspaper as you know and love it from
the convenience of the web.



Memphis Commercial Appeal

This full replica of our printed product provides
you the newspaper as you know and love it from
the convenience of the web.

Memphis Opinion and Letters

Letters to the Editor, opinion news and analysis for Memphis and the Mid-South from The Commercial Appeal.



The Commercial Appeal

News, crime, weather, photos, video, Memphis Grizzlies, Memphis Tigers and sports for Memphis, Tennessee, and the Mid-South from The Commercial Appeal.

Memphis Sports

Sports news for Memphis and the Mid-South from The Commercial Appeal.



[Commercial Solar Installation & Power Solutions , FSG](#)

At FSG, we provide true turnkey solar solutions for commercial customers. Our team handles every stage of your project-including procurement, sales, electrical work, system design, engineering,

Commercial Appeal Archives

Commercial Appeal Archives Search the Archives Welcome to The Commercial Appeal digital archives including stories from June 27, 1990 to the present. Searching is free. However, a fee (\$2.95 per



Contact Us

For catalog requests, pricing, or partnerships, please visit:
<https://peyronies.us>